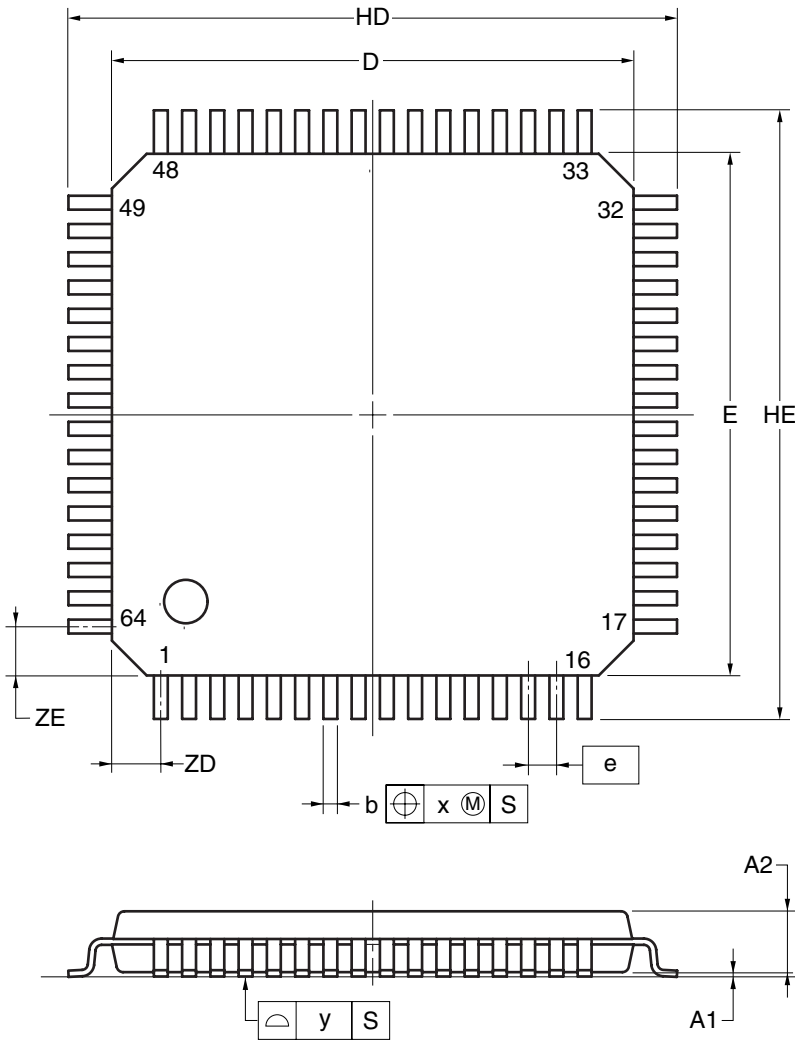


# 64-PIN PLASTIC LQFP (12x12)



detail of lead end

(UNIT:mm)

| ITEM | DIMENSIONS                              |
|------|---|
| D    | 12.00±0.20                              |
| E    | 12.00±0.20                              |
| HD   | 14.00±0.20                              |
| HE   | 14.00±0.20                              |
| A    | 1.60 MAX.                               |
| A1   | 0.10±0.05                               |
| A2   | 1.40±0.05                               |
| A3   | 0.25                                    |
| b    | 0.30 <sup>+0.08</sup> <sub>-0.04</sub>  |
| c    | 0.125 <sup>+0.75</sup> <sub>-0.25</sub> |
| L    | 0.50                                    |
| Lp   | 0.60±0.15                               |
| L1   | 1.00±0.20                               |
| θ    | 3° <sup>+5°</sup> <sub>-3°</sub>        |
| e    | 0.65                                    |
| x    | 0.13                                    |
| y    | 0.10                                    |
| ZD   | 1.125                                   |
| ZE   | 1.125                                   |

**NOTE**

Each lead centerline is located within 0.13 mm of its true position at maximum material condition.

P64GK-65-GAJ