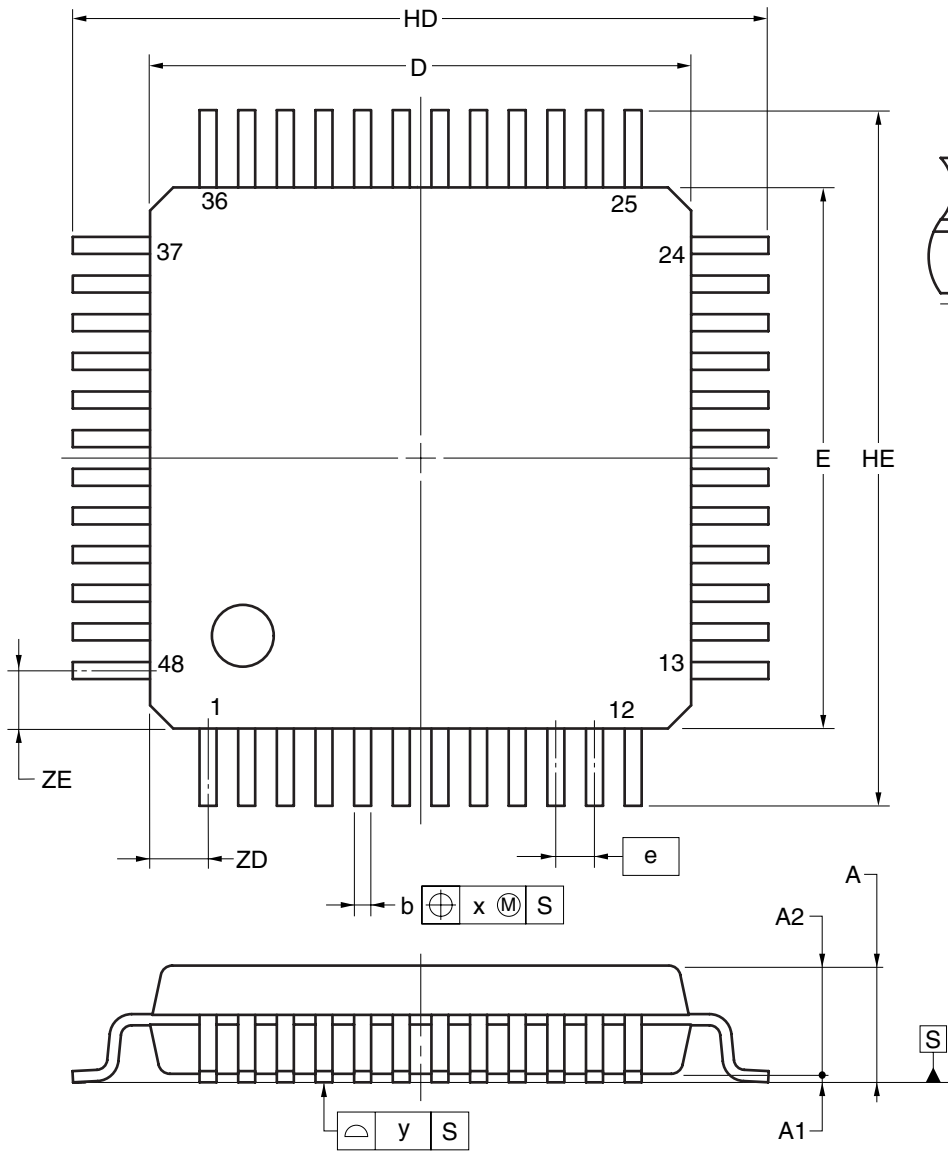


48-PIN PLASTIC LQFP (FINE PITCH) (7x7)



detail of lead end

(UNIT:mm)

ITEM	DIMENSIONS
D	7.00±0.20
E	7.00±0.20
HD	9.00±0.20
HE	9.00±0.20
A	1.60 MAX.
A1	0.10±0.05
A2	1.40±0.05
A3	0.25
b	0.20 ^{+0.07} _{-0.03}
c	0.125 ^{+0.075} _{-0.025}
L	0.50
Lp	0.60±0.15
L1	1.00±0.20
θ	3°+5° -3°
e	0.50
x	0.08
y	0.08
ZD	0.75
ZE	0.75

NOTE

Each lead centerline is located within 0.08 mm of its true position at maximum material condition.

P48GA-50-GAM