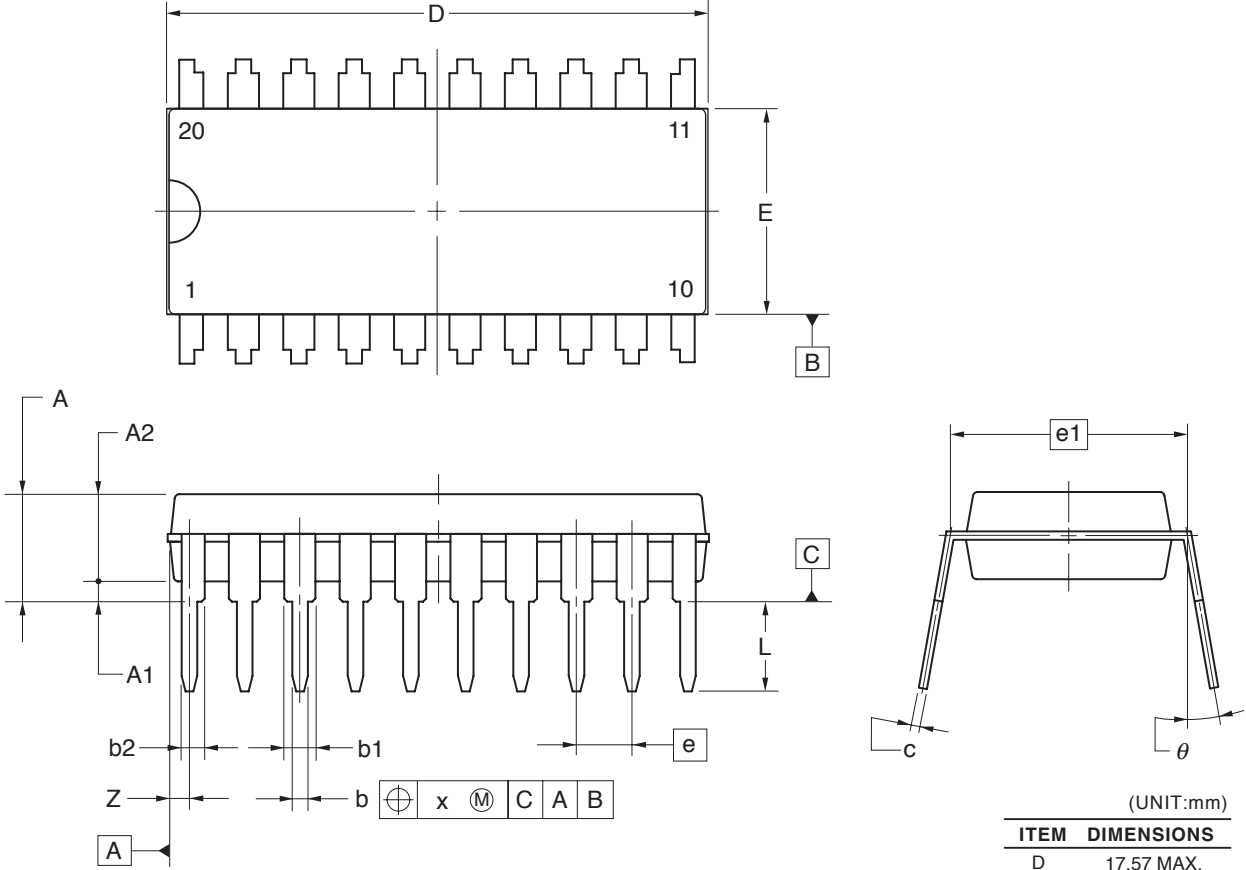


20-PIN PLASTIC SDIP (7.62mm (300))



(UNIT:mm)

ITEM	DIMENSIONS
D	17.57 MAX.
E	6.60
A	3.70 MAX.
A1	0.65±0.10
A2	2.80
e	1.778
e1	7.62
b	0.52±0.10
b1	1.02±0.10
b2	0.77±0.10
c	0.27±0.07
L	2.86±0.20
x	0.25
θ	0° to 5°
Z	0.609

P20CS-70-CAC